

FEATURES:

- Solutions based on impedance, size and current
- Designed for DC-DC converters
- Wide variety of inductor sizes and current ratings available
- Dielectric strength : 500Vrms
- Recognized by UL 60950-1

TEST CONDITIONS:

- Inductance -----10KHZ/200mV
- Leakage Inductance -----100KHZ/1V
- Interwinding Capacitance --100KHZ/1V

YUAN DEAN SCIENTIFIC



Common Mode Choke

76T SERIES

SMT

Self-Leaded



ELECTRICAL SPECIFICATIONS@25°C- Operating Temperature 0°C To 70°C

Part Number	Rated Current For 55°C Rise (Amps)	Inductance (mHy±35%)	DCR(max) (mΩ)	Package
76T-159S3NL	2.80	1.59±25%	80	S3
76T-132S3NL	3.30	1.32	60	S3
76T-221S3NL	3.30	0.22	60	S3
76T-768S3NL	4.70	0.77	40	S3
76T-591S3NL	-	0.59±25%	20	S3
76T-5311I6NL	7.20	0.53	15	I6

www.yds.com.tw



TEL: 886-6-3842899 FAX: 886-6-3843288

E-MAIL: ydsweb@yds.com.tw

Rev: 2 2019/04/17

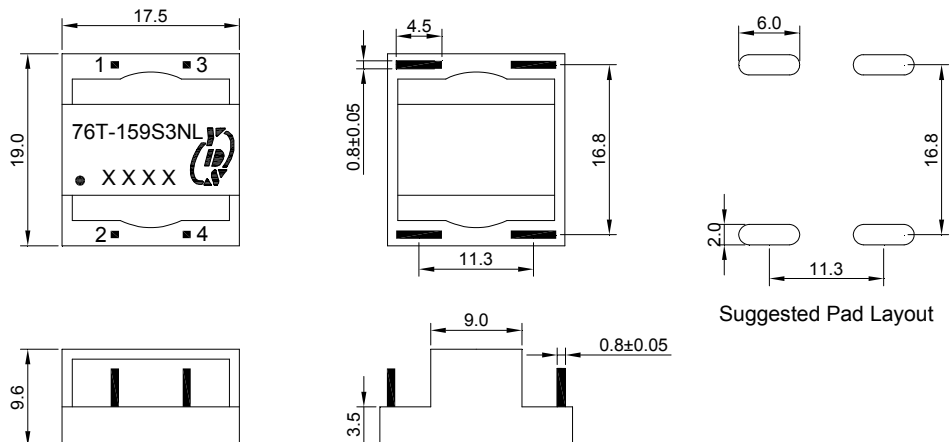
Part Number

76T	-	159	S3	NL
A		B	C	D

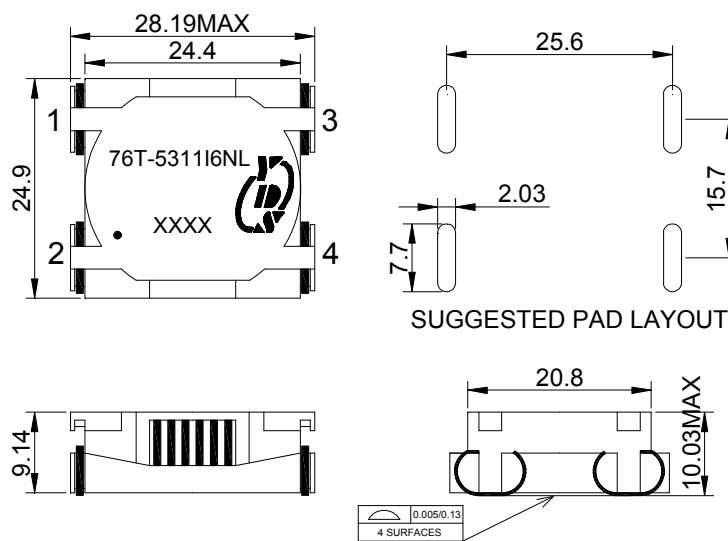
- A : Series
- B : Inductance
- C : Mechanicals
- D : RoHS Version

Mechanicals and Dimensions

S3



I6



Dimensions: inches/mm
 Unless otherwise specified, all tolerances are ±0.25