

FEATURES :

- Universal AC Input
- High Efficiency Up To 84%
- Protection: Short Circuit /Over current/Over voltage
- Meet EMI EN55022 & EMS EN55024 standard
- Power Factor Correction
- 3 Years Warranty
- ROHS Compliant

Specifications typical at TA=25°C, nominal input voltage and rated output current unless otherwise specified

Part Number	Output Wattage	Constant Current Region	Dimmable Current	Constant Current	Efficiency % (TYP)	
	(W)	(V)	(mA)	(mA)	LBU8D	LBE8D
LBU(E)8D-120-300	3.6	6.0-12.0	0-300	300±5%	80	82
LBU(E)8D-180-300	5.4	9.0-18.0	0-300	300±5%	81	82
LBU(E)8D-260-300	7.8	18.0-26.0	0-300	300±5%	82	84
LBU(E)8D-120-350	4.2	6.0-12.0	0-350	350±5%	80	84
LBU(E)8D-180-350	6.3	9.0-18.0	0-350	350±5%	81	84
LBU(E)8D-095-500	4.8	5.0-9.5	0-500	500±5%	80	82
LBU(E)8D-120-500	6.0	6.0-12.0	0-500	500±5%	81	82
LBU(E)8D-045-700	3.2	3.0-4.5	0-700	700±5%	80	82
LBU(E)8D-090-700	6.3	4.5-9.0	0-700	700±5%	81	82

NOTE: U: Input 110Vac. E: Input 230Vac. For example: LBU8D-120-300, LBE8D-120-300
Resonant control to achieve high efficiency, 84% without dimmer

Input Specifications

Parameters	Conditions	Min	Typ	Max	Units
Input voltage(LBU8D)	Io nom	90	110	130	Vac
Input voltage(LBE8D)	Io nom	200	230	264	Vac
Line Frequency	Vi nom, Ionom	47	50/60	63	Hz
Inrush Current	Io nom	Vi:110VAC		10	A
		Vi:230VAC		20	A
Power Factor	PF> 0.90 / 110Vac,230Vac at full load(Without Dimmer)				

Output Specifications

Parameters	Conditions	Min	Typ	Max	Units
Isolation Voltage	Input / Output		3KVac/ 5mA/5Secs		
Operating Temperature	Operating at Vi nom, Io nom	-20		+50	°C
Protection	Over Current	>108% rated output power(Constant current limiting)			
		Protection type: Recovers automatically after fault condition is removed			
	Over Voltage	120%-150% rated output Voltage			
Protection type: Recovers automatically after fault condition is removed					
Short circuit	Recovers automatically after fault condition is removed				

YUAN DEAN SCIENTIFIC



LED Bulbs Driver

LBU(E)8D SERIES

8Watt

3KVac Isolated

PFC

Dimmable



Part Number

$\frac{L}{A} \frac{B}{B} \frac{U}{C} \frac{(E)}{D} \frac{8}{E} \frac{D}{F} - \frac{120}{G} - \frac{300}{H}$

- A : Series
- B : Package
- C : Input 110Vac
- D : Input 230Vac
- E : Output Watt
- F : Dimmable
- G : Output Voltage
- H : Output Current

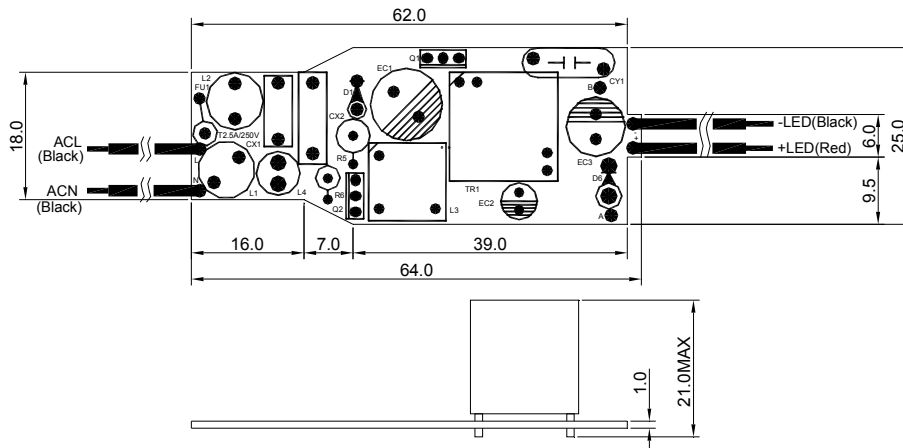
www.yds.com.tw



TEL: 886-6-3842899 FAX: 886-6-3843288
E-MAIL: ydsweb@yds.com.tw

Rev:0 2018/07/12

Markings and dimensions



UNIT:mm Unless otherwise specified,all tolerances are ± 0.5