

Part Number

YUAN DEAN SCIENTIFIC



Magnetic Devices

VSM SERIES

Surface Mount

Versatile

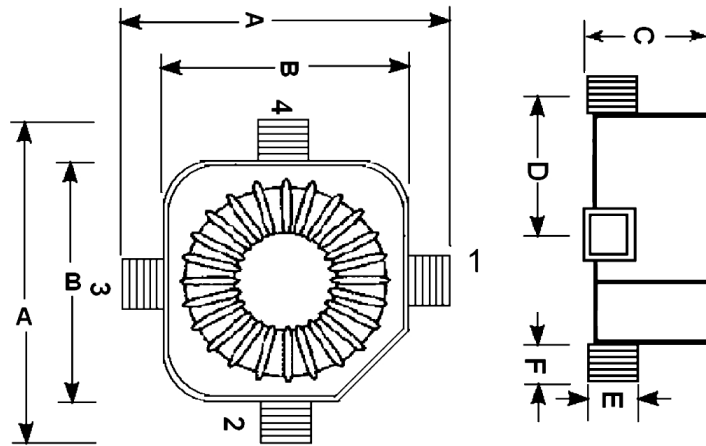


ELECTRICAL SPECIFICATIONS@25°C-OPERATING TEMPERATURE -40°C TO 85°C

Part Number	PARALLEL RATINGS			SERIES RATINGS			TYPE	TEST FREQ (MHz)
	INDUCTANCE (uH)	CURRENT (AMP)	DCR Ω max	INDUCTANCE (uH)	CURRENT (AMP)	DCR Ω max		
VSM-1001NL	10	2.500	0.046	40	1.250	0.184	1	1
VSM-2001NL	20	1.600	0.119	80	0.800	0.480		
VSM-5001NL	50	1.020	0.217	200	0.510	0.870		
VSM-8201NL	82	0.730	0.444	328	0.365	1.780		
VSM-1011NL	100	0.730	0.469	400	0.365	1.880		
VSM-2011NL	200	0.500	0.810	800	0.250	3.220		
VSM-3011NL	300	0.420	0.950	1200	0.210	3.730		
VSM-1002NL	10	4.000	0.026	40	2.000	0.150	2	1
VSM-2002NL	20	2.100	0.071	80	0.050	0.300		
VSM-5002NL	50	1.350	0.242	200	0.575	0.970		
VSM-1012NL	100	0.980	0.332	400	0.475	1.330		
VSM-1512NL	150	0.720	0.603	600	0.036	2.420		
VSM-2512NL	250	0.600	0.881	1000	0.300	3.530		
VSM-3012NL	300	0.550	0.930	1200	0.275	3.750		



Mechanicals and Dimensions



TYPE	A	B	C	D	E	F
1	12.5	9.5	5.8	5.13	3.0	2.5
2	14.5	12	7.0	6.38	4.5	2.5

Dimension: mm
 Unless otherwise specified, all tolerances are ± 0.25

Schematics

