

## FEATURES:

- Low leakage inductance and coupling
- capacitance for faster rise times
- Small form factor, 50 mil lead spacing
- Through hole, auto-insertable, Surface Mount, 16-pin package

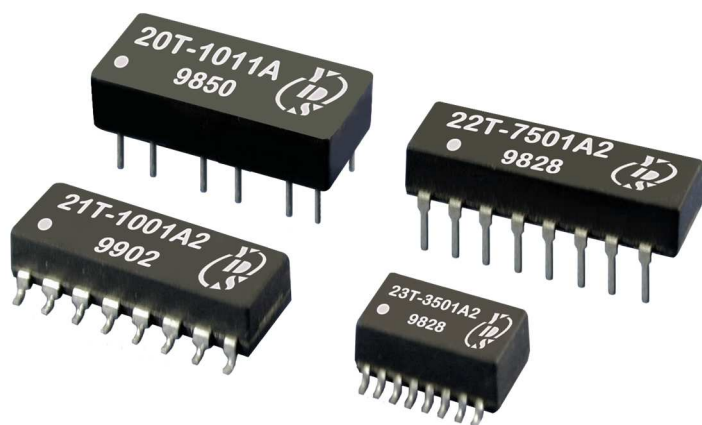
YUAN DEAN SCIENTIFIC



Transformers

20T/21T/22T/23T SERIES

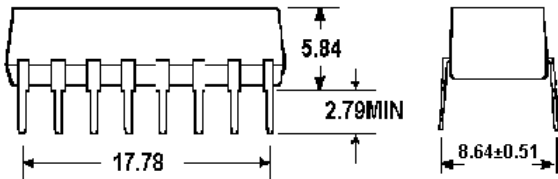
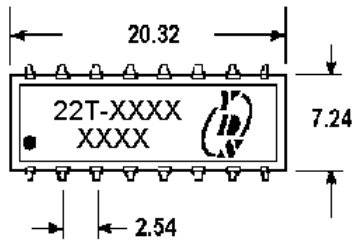
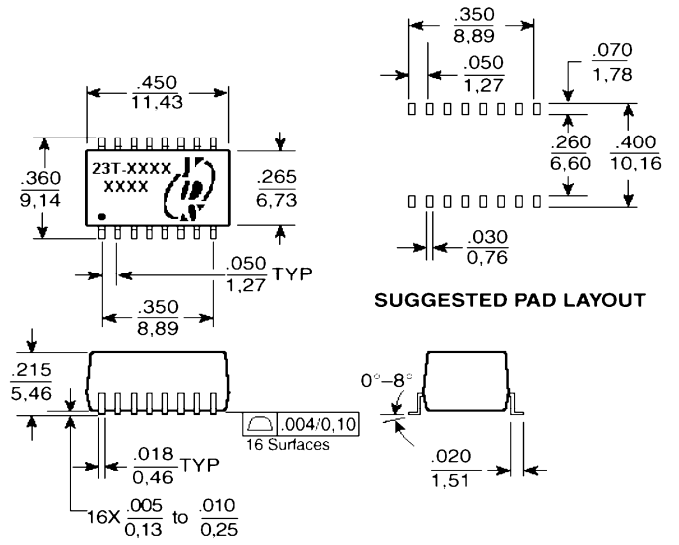
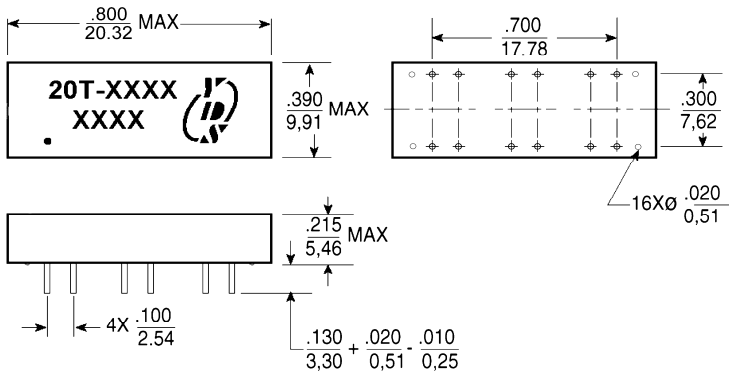
For Ethernet



## ELECTRICAL SPECIFICATIONS@25°C-Operating Temperature 0°C TO +70°C

Part Number	Tums Ratio (±5%)	Primary Pins	Primary Sine Wave OCL(uH) (+/- 20%)	Primary ET-Constant (V-us MIN)	Rise Time	Interwinding Capacitance CWW' (pF MAX)	Leakage Inductance LL' (μH MAX)	PRI.DCR (ΩMAX)	Shem.	Hipot (Vrms)
23T-4001A2NL	1:1	1-2/4-5/7-8	40(min)	2.1	3.0	8	0.20	0.25	A	2000
20T-7501A2NL	1:1	1-2/4-5/7-8	75	2.4	3.5	10	0.25	0.30	A	2000
22T-1011ANL	1:1	1-2/4-5/7-8	100	2.1	3.0	10	0.20	0.30	A	500

Mechanicals and Dimensions



Schematics

