

FEATURES:

- Base material meets flammability requirements of UL 94-0
- Available in surface mount and through hole versions
- Recognized by UL 60950-1

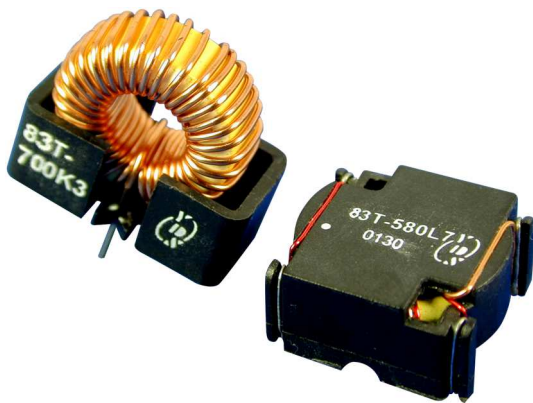
YUAN DEAN SCIENTIFIC



Inductor

83T SERIES

SMT & Through Hole

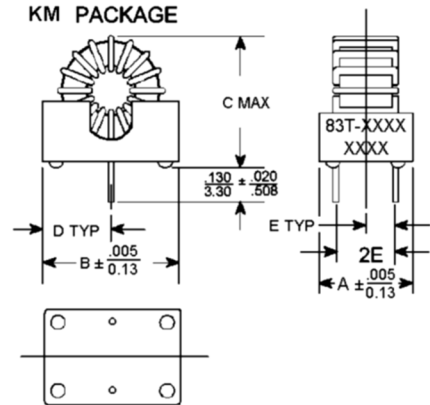
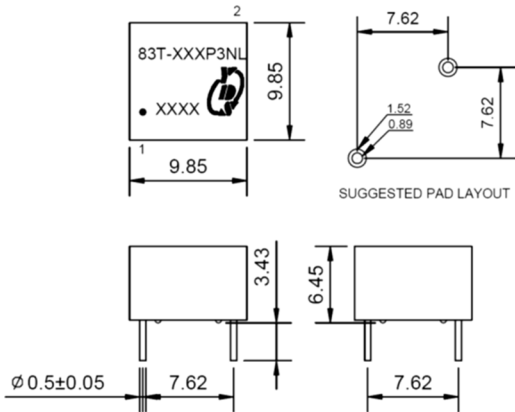


ELECTRICAL SPECIFICATIONS@25°C- Operating temperature -40°C TO +130°C

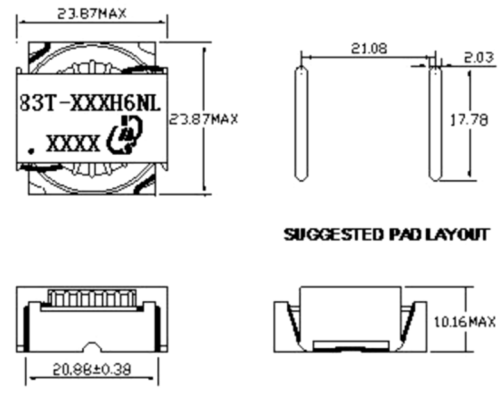
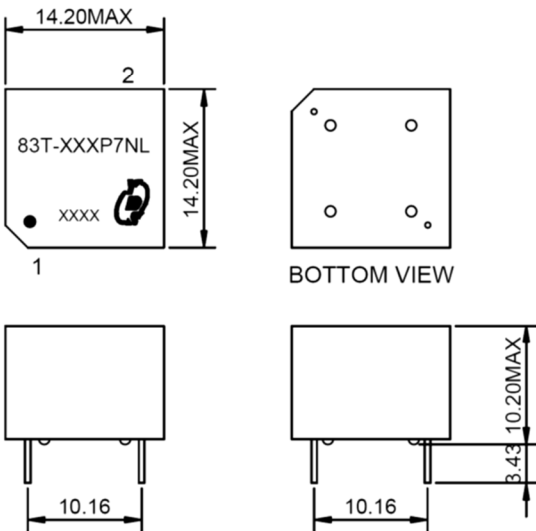
Part Number	Inductance (μH ±20%)	Rated Current (Amps DC)	DCR (Ω MAX)	Mech
83T-118P3NL	118	0.38	1.2	P3
83T-115P7NL	115	0.67	0.4	P7
83T-250KM2NL	25	3.0	0.04	KM2
83T-168KM3NL	168	1.81	0.18	KM3
83T-111KM4NL	111	3.0	0.09	KM4
83T-114H6NL	114	-	0.1	H6

Mechanicals

Mechanicals



Mech	A	B	C	D	E	F
KM2	.450	.650	.700	.325	.150	.130
	11.43	16.51	17.73	8.26	3.81	3.30
KM3	.450	.830	.950	.415	.150	.130
	11.43	21.08	24.13	10.54	3.81	3.30
KM4	.600	.950	1.1	.475	.275	.130
	15.24	24.13	27.94	12.07	5.72	3.30



UNIT:mm Unless otherwise specified, all tolerances are ± 0.25